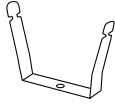
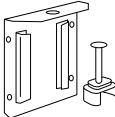
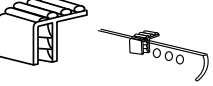





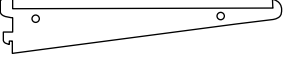
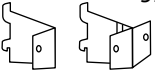


		Description:	Item Number	Price/ea
535		Lemans Strap Lamp Holder Finish: KX Kromolite For cornice bracket #5744	535	\$1.73
553		Lemans Cornice Bracket Adjusting Clip Set Finish: KX Kromolite For cornice bracket #5744	553	\$6.30
5110		Glass Shelving Cushion Fits all series of blade brackets Opaque plastic	5110	\$0.17
5111		Rubber Bumpers	5111 Gray 5111-CLR Clear	\$0.09 \$0.14
5112-5116		Lemans Command Snap-In Bracket Clips Finish: KX Kromolite	5112 5114 5116	\$0.47 \$0.47 \$0.47
5117		Screw-on Center Clip Zinc	5117	\$0.57
5501		Lemans Bracket Fits .5" Slot 1" Center 0.125" Thickness Finish: SK Satin Kromolite	5501-12 5501-14 5501-16 5501-18 5501-20 5501-22 5501-24	\$5.12 \$5.46 \$5.95 \$6.26 \$6.59 \$7.05 \$7.76
5505		Lemans Bracket Fits .5" Slot 1" Center 0.125" Thickness Finish: SK Satin Kromolite	5505-6 5505-8 5505-10 5505-12 5505-14	\$2.35 \$2.48 \$2.62 \$2.83 \$3.07
5506		Lemans Bracket Finish: SK Satin Kromolite	5506-10 5506-12 5506-14	\$2.62 \$2.83 \$3.07
5507		Lemans Crossbar Brackets Finish: KX Kromolite	5507 (L & R) 5508 (Center)	\$2.76 \$5.58

LeMans Series

LeMans Series Slotting:

1/2" slots on 1" centers
Standards are fabricated from tempered 11GA (.125") and have countersunk holes.

Use No. 6 or No. 8 flathead countersink wood screws

Screws should be at least 1 3/4" long for optimum result

Knife brackets are fabricated from 1/8" (11GA) steel to hold heavier loads.


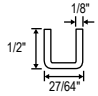

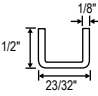
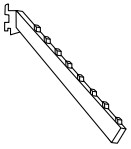
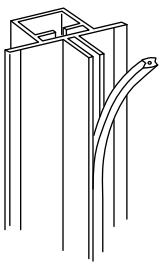

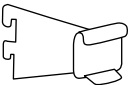
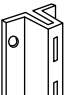
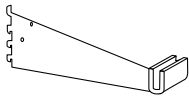
Most brackets shown are drive fit, with safty up-hook

June 2008

Corporate/Plant:
765 S. Rt. 83
Elmhurst, IL 60126-4228
T: 630-279-9800
F: 630-279-9807
www.crownmetal.com

West Coast Warehouse
11738-A San Marino St.
Rancho Cucamonga, CA 91730
T: 909-291-8585
F: 909-291-8587
ca-sales@crowmetal.com



	Description:	Item Number	Price/ea
5520	 Lemans Wall Standard Finish: SA Satin Aluminum 	5520-18 5520-24 5520-30 5520-36	\$12.56 \$14.72 \$15.80 \$18.77
5530	 Lemans Wall Standard Finish: KX Kromolite 	5530-36 5530-48 5530-60 5530-72 5530-84 5530-96 5530-120 5530-144	\$9.23 \$11.22 \$13.21 \$15.24 \$17.22 \$19.21 \$23.22 \$28.00
5533	 Lemans Rectangular waterfalls Finish: BC Bright Chrome	5533 (with cube stops)	\$23.92
Lemans Stud-EZ Hidden Wall System 	(11/16" lip) Finish: Aluminum	5540-72 5540-84 5540-96	\$46.53 \$54.32 \$62.06
	(9/16" lip) Finish: Aluminum	5541-72 5541-84 5541-96	\$46.53 \$54.32 \$62.06
	(13/16" lip) Finish: Aluminum	5542-72 5542-84 5542-96	\$46.53 \$54.32 \$62.06
5559	 Lemans Rectangular Straights Finish: BC Bright Chrome	5559-3 5559-8 5559-12 5559-14	\$7.69 \$7.97 \$8.22 \$8.47
5560	 Lemans Crossbar Brackets Finish: BC Bright Chrome	5560-2 5560-4 5560-6 5560-8 5560-10	\$4.23 \$4.36 \$4.54 \$4.78 \$5.18
5570	 Lemans Rect-A-Rail Winged T Standard Finish: Satin Aluminum	5570-8ft 5570-12ft	\$54.00 \$81.96
5573	 Lemans Rect-A-Rail Bracket Finish: BC Bright Chrome For 1/2" x 1" hangrod	5573-3 5573-12 5573-14	\$7.27 \$8.97 \$9.69

LeMans Series

LeMans Series Slotting:

1/2" slots on 1" centers

Standards are fabricated from tempered 11GA (.0125") and have countersunk holes.

Use No. 6 or No. 8 flathead countersink wood screws

Screws should be at least 1 3/4" long for optimum result

Knife brackets are fabricated from 1/8" (11GA) steel to hold heavier loads.

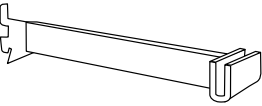
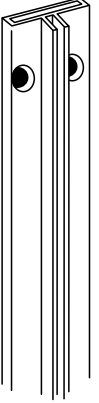
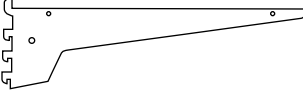
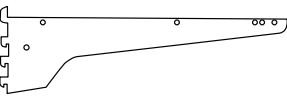
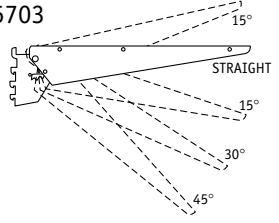
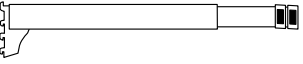
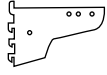
Most brackets shown are drive fit, with safty up-hook

June 2008

Corporate/Plant:
 765 S. Rt. 83
 Elmhurst, IL 60126-4228
 T: 630-279-9800
 F: 630-279-9807
 www.crownmetal.com

West Coast Warehouse
 11738-A San Marino St.
 Rancho Cucamonga, CA 91730
 T: 909-291-8585
 F: 909-291-8587
 ca-sales@crowmetal.com



	Description:	Item Number	Price/ea
5575 	Lemans Bracket 1/2" x 1 1/2" Faceout Finish: BC Bright Chrome	5575-3 5575-12 5575-14	\$7.73 \$9.53 \$9.94
Lemans T Standard Hidden Wall System 	Lemans (11/16" lip) Finish: Painted Black or KX Kromolite	5580-72 5580-84 5580-96 5580-120 5580-144	\$19.32 \$22.54 \$25.76 \$32.20 \$41.40
	Lemans (13/16" lip) Finish: Painted Black or KX Kromolite	5581-72 5581-84 5581-96 5581-120 5581-144	\$19.32 \$22.54 \$25.76 \$32.20 \$41.40
	Lemans (7/16" lip) Finish: Painted Black or KX Kromolite	5582-72 5582-84 5582-96 5582-120 5582-144	\$19.32 \$22.54 \$25.76 \$32.20 \$41.40
5701 	Lemans Bracket Fits .5" Slot 1" Center 0.125" Thickness Finish: SK Satin Kromolite	5701-12 5701-14 5701-16 5701-18 5701-20 5701-22 5701-24	\$4.69 \$5.00 \$5.46 \$5.80 \$6.16 \$6.66 \$7.21
5702 	Lemans Bracket Accepts Hangrod Adapters Finish: SK Satin Kromolite	5702-10 5702-12 5702-14	\$5.00 \$5.49 \$5.83
5703 	Lemans Adjustable Bracket Finish: SK Satin Kromolite	5703-10 5703-12 5703-14 5703-16 5703-18	\$9.07 \$9.52 \$10.11 \$10.73 \$11.63
5744 	Lemans Cornice Bracket Finish: KX Kromolite See part #535 and #553 accessories	5744-18 5744-24 5744-30	\$19.42 \$19.73 \$21.49
5756 	Lemans Bracket Finish: SK Satin Kromolite	5756	\$5.42

LeMans Series

LeMans Series Slotting:

1/2" slots on 1" centers
Standards are fabricated from tempered 11GA (.125") and have countersunk holes.

Use No. 6 or No. 8 flathead countersink wood screws

Screws should be at least 1 3/4" long for optimum result

Knife brackets are fabricated from 1/8" (11GA) steel to hold heavier loads.

Most brackets shown are drive fit, with safty up-hook

June 2008

Corporate/Plant:
765 S. Rt. 83
Elmhurst, IL 60126-4228
T: 630-279-9800
F: 630-279-9807
www.crownmetal.com

West Coast Warehouse
11738-A San Marino St.
Rancho Cucamonga, CA 91730
T: 909-291-8585
F: 909-291-8587
ca-sales@crowmetal.com

